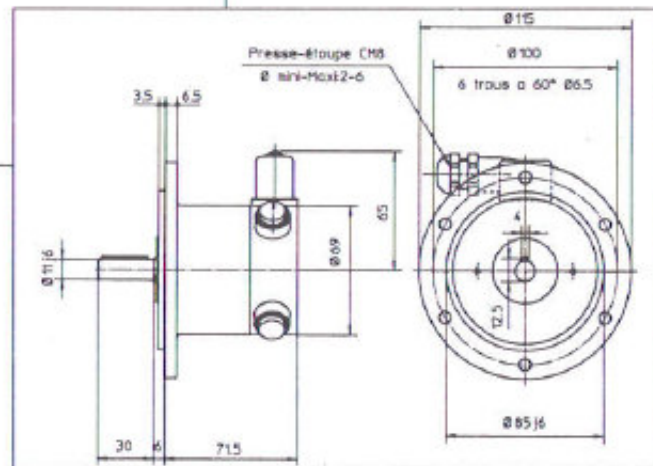
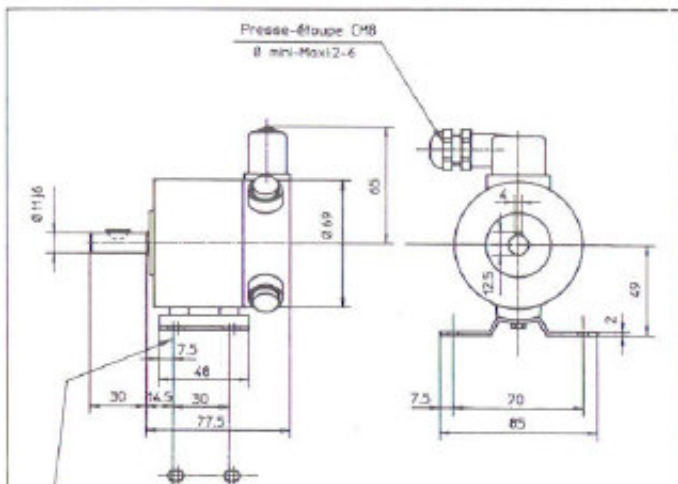
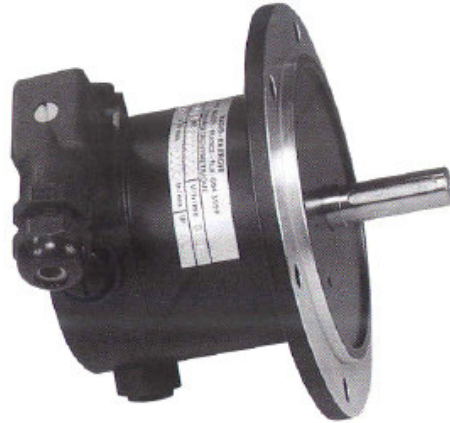


TYPE RE .0444 L

Weight Kg 1,0



GENERAL DATA

Designation	Symb	Unit	Val	
Max. Speed (Mechanical)	n_m	tr/min rpm U/min	8000	
Moment of inertia	J	Kg cm ²	0,62	
No load driving torque	Mr	N.cm	0,4	
Max. radial shaft stress	F	da N	0,4 \varnothing 7 mm	1,0 \varnothing 11 mm
Max. E.M.F.	Em	V	300	
Max. linearity error	ΔE	% Et	$\leq 0,15$	
Overall ripple rate (Peak to Peak)	ΔE_C	% E _C	≤ 1	
Rotation harmonics (f = 2p.n.)	ΔE_p	% E _C	$\leq 0,3$	
Slot harmonics (f = Z n)	ΔE_Z	% E _C	$\leq 0,7$	
Calibration Precision	ΔE_O	% E _{TO}	$\pm 1,5$	
E.M.F. temp drift -- not compensated -- compensated	ΔE_e	%C	- 0,03	-
Time constant	C _t	ms	0,2	
* Filter : Time constant of filter	R _f x R _C	Ms mA	1,0 3	
Load Current	I _c	tr / min rpm	3000	
Speed	n	U / min		

CONSTRUCTION DETAILS

Number of Poles	2P	4
Number of armature slots	Z	33
Number of collector blades	K	33
Insulation class		B (IEC34 – 1)
Operating temperature		-20° – 80°C

Climatic protection	Ca (IEC68 – 1)
Protection degree	IP 44 (IEC34 – 5)
Direction of rotation : reversible	
Excitation : permanent magnets : SmCo	

We reserve the right to modify technical features in the interest of technological advance

DESTINATION

- Industrial Applications
- Control and Regulation

DESCRIPTION

- DC Tachometer generator
- Small size
- Connector
- 1 commutator version

MECHANICAL OPTIONS

SHAFT ENDS AND BEARINGS						
	Mounting Side			Opposite Mounting Side		
	D (mm)	L (mm)	Bearings	D (mm)	L (mm)	Bearings
Std.	7 / 11	30	8 x 22 x 7 ZZ / 12 x 28 x 8 ZZ	-	-	8 x 22 x 7 ZZ
Max.	14	-	15 x 32 x 9 ZZ	4	-	8 x 22 x 7 ZZ

OPTIONS	With sealing ring on shaft ends (IP 55) Special flange
	AVAILABLE OPTIONS ON 2 ND SHAFT ENDS

MARKINGS AND POLARITY OF TERMINALS FOR COUNTER-CLOCKWISE ROTATION VIEWING THE MOUNTING FACE				
1 collector		2 collectors		
A1 : + A2 : -	Coll. 1		Coll. 2	

ELECTRICAL OPTIONS

				Standard
E.M.F. at 1000 rpm	E_n	V	1 Coll.	60
Voltage gradient	C_v	V / rpm	1 Coll.	0,06
Armature resistance	R_a	Ω	1 Coll.	160
Max. thermal load	I_{th}	A	1 Coll.	0,01
Max. allowed speed	n_a	rpm	1 Coll.	5000

BRUSHES

No.	Dimensions	Grade	Application Limits	Ref.
	mm	Electro graphite	On request	60 – 40 - EG
4	6 x 4 x 13	Silver Graphite	Standard	60 – 40 - CA