

TYPE RE .444 N



QUICK AND EASY MOUNTING

Mount the customized interface on the driving machine.
Assemble any type of COMBINO sensor one behind the other.
Build up your sensor combination and make it evolve as you wish.

AN INNOVATING TECHNOLOGY FOR FLEXIBLE SOLUTION AND PRECISE CONTROL

The COMBINO modules are equipped with an integrated coupling to solve misalignment problems. The engineered assemblies are of unparalleled compactness.

AN ECONOMIC SOLUTION

The user can self-assemble the sensors : this leads to time saving for maintenance purpose. If the control technology changes, it is possible to change the sensor technology without modifying the mechanical mounting on the driving machine.

QUICK AND EASY MOUNTING

Mount the customized interface on the driving machine. Assemble any type of COMBINO sensor behind the other. Build up your sensor combination and make it evolve as you wish.

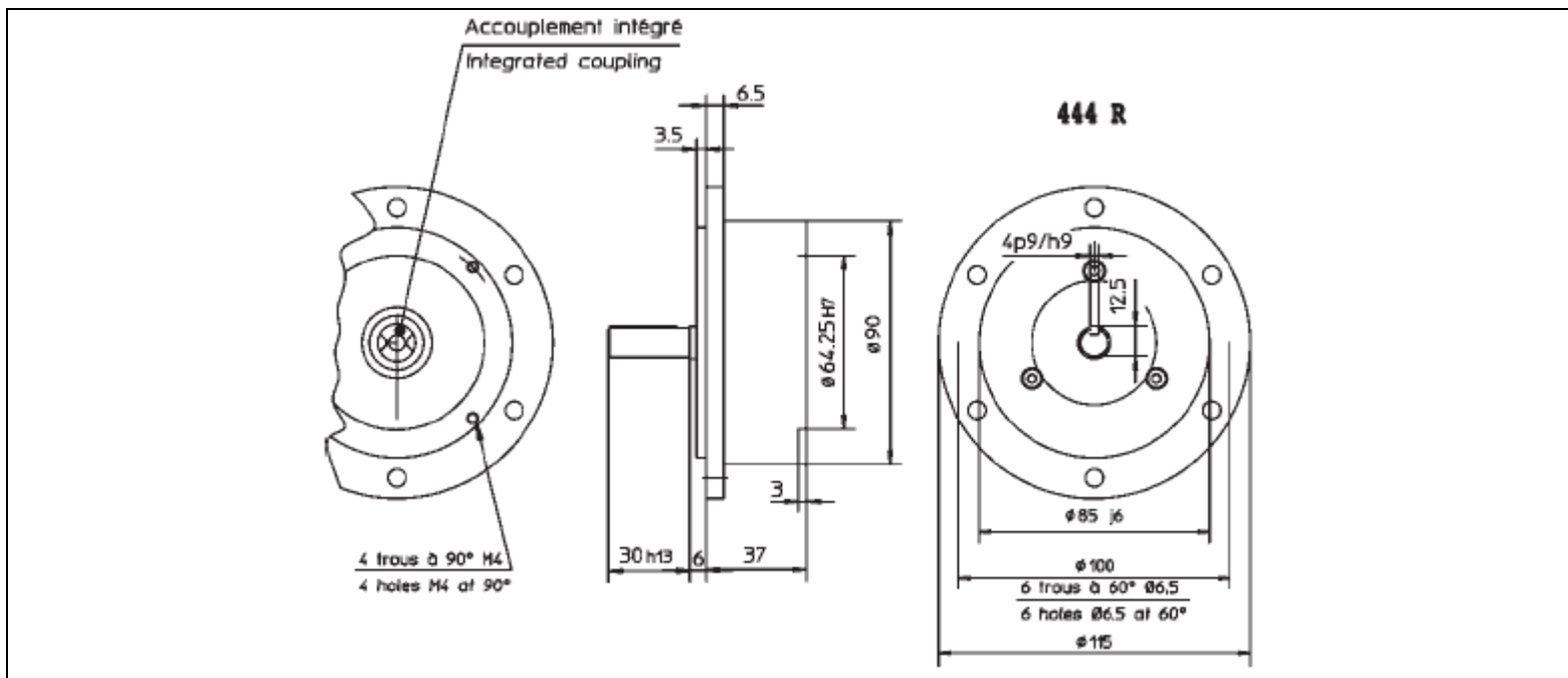
AN INNOVATING TECHNOLOGY FOR FLEXIBLE SOLUTION AND PRECISE CONTROL

The COMBINO module are equipped with an integrated coupling to solve misalignment problems. The engineered assemblies are of unparalleled compactness.

AN ECONOMIC SOLUTION

The user can self-assemble the sensors : this leads to time saving for maintenance purpose. If the control technology changes, it is possible to change the sensor technology without modifying the mechanical mounting on the driving machine.

DESIGNATION Flange / bride	DIMENSIONS Shaft end (mm)	EFFORT MAX	
		Axial (N)	Radial (N)
444 R	11 X 30	50	100
RPY R	7,9 X 19,5	50	100
588 N	14 X 30	50	100
588 S	14 X 30	50	100
588 G	15,87 X 31	50	100



RCO INT XXX X

Type

Shaft end / Bout d'arbre (mm)		
444 R	= RE.0444	11 x 30
RPY R	= RE.0444 US	7,9 x 19,5
588 N or S	= RE.0588 N or S	14 x 30
588 G	= RE.0588 GB	15,87 x 31

Other shaft diameter (16 mm max.) / Autre diamètre d'arbre
Other shaft length / Autre longueur d'arbre