

TYPE RCO 058 R



Module Incremental Encoder

DESIGNATION		VALUE	
Counts per turn	1	1-2500, out. >2500	
Switching frequency	f _{max.}	100 kHz	
Maximum speed	min ⁻¹	$\frac{f_{\max} \times 60}{1} \leq 6000$	
Logic level		TTL HTL	
Supply voltage		+5 V ± 10% +11 ...+30 V	
Current consumption at no load		100mA	
Average load current per channel		20mA 50mA	
Output amplitude		U _{LOW} = 0,5 V / U _{LOW} = 1,5 V U _{HIGH} = 2,5 V / U _{HIGH} = VCC -2,5 V	
Square wave displacement		90°C ± 22,5°C	
Moment of inertia		5gcm ²	
Driving torque at working temperature		1Ncm	
Vibration proof		10 g / (10- 500 Hz)	
Shock proof		30 g (11 ms)	
Temperature range (housing surface)		-20°C - +85°C; opt. +100 °C	
Protection degree		IP 55 – IEC 34-5	

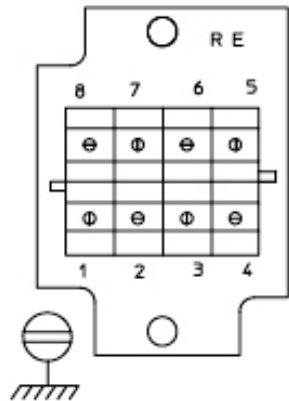
Weight

0,7 kg.

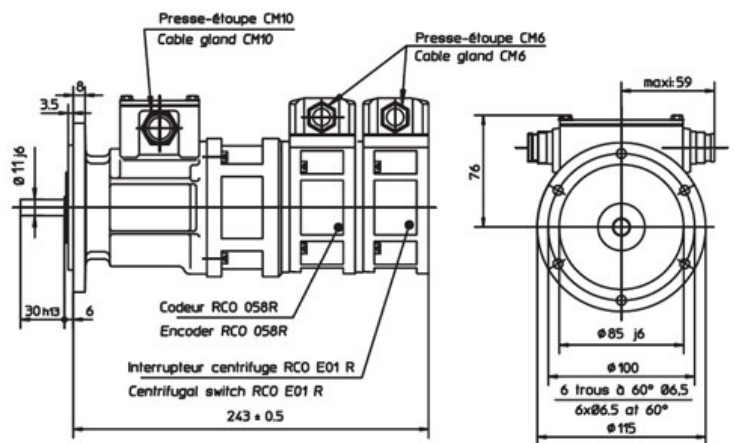
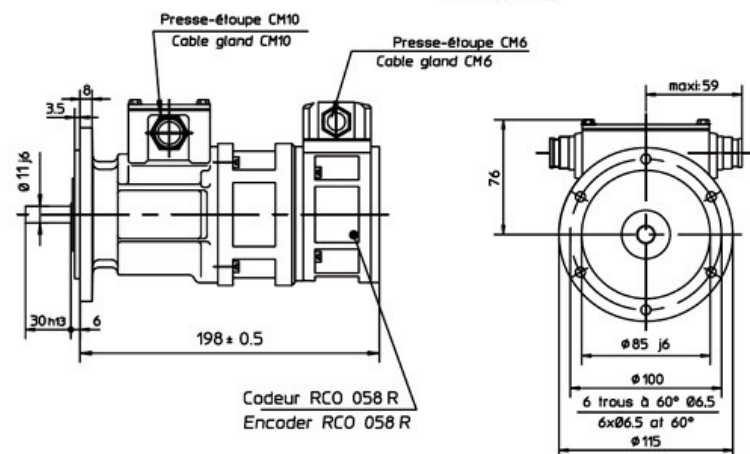
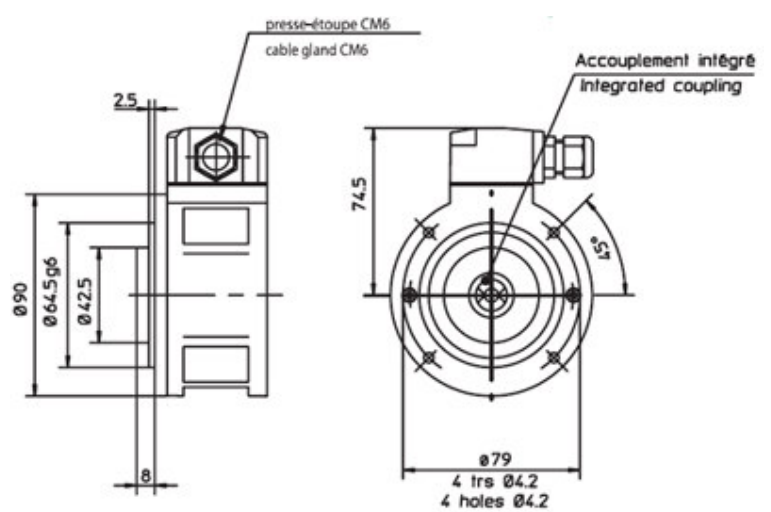
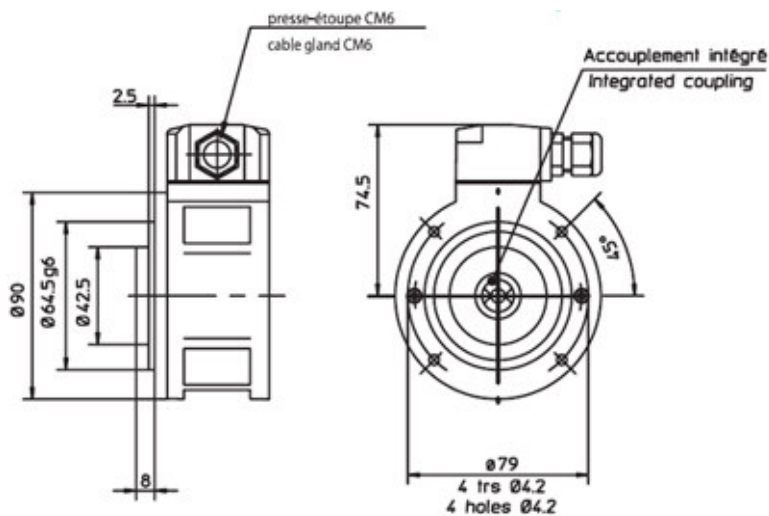
We reserve the right to modify technical features in the interest of technological advance.

General Characteristics

- Robust incremental encoder module
- From 1 to 2500 pulse per rev. as standard
- Terminal box as standard
- Military or Aerospace connectors option



1	-
2	+
3	A
4	B
5	0
6	A
7	B
8	0



Connector	Designation	-	+	A	B	- 0	- A	- B	0
6R	Connivers 12 PIN	1	2	3	4	5	6	7	8
JR	Connivers 12 PIN	10	12	5	8	3	6	1	4

