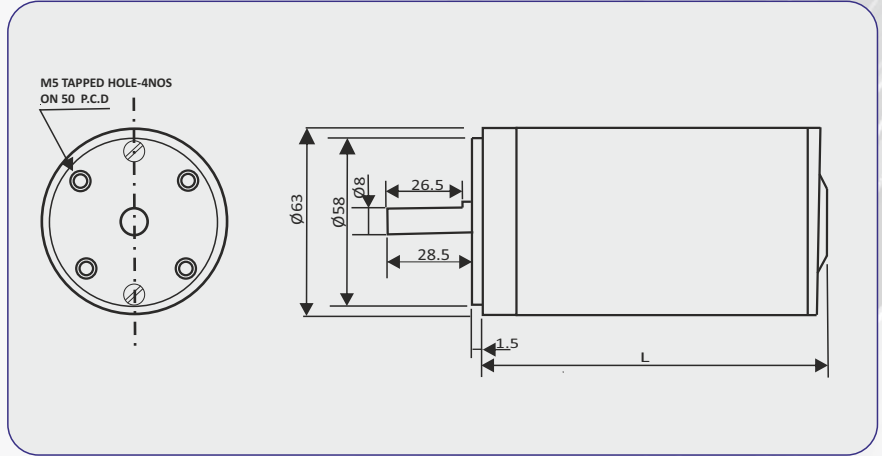
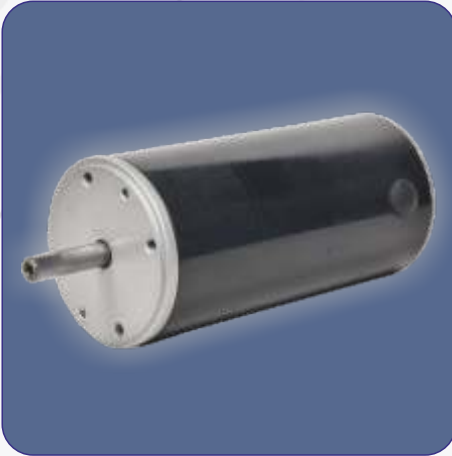




54, Annapurna Industrial Estate, Tilak Road,
Ghatkopar (E), Mumbai - 400 077 India
Tel: +91-22-21029911
E-mail: sales@excellaelectronics.com

PMDC MOTOR D63 SERIES

Mechanical Dimension

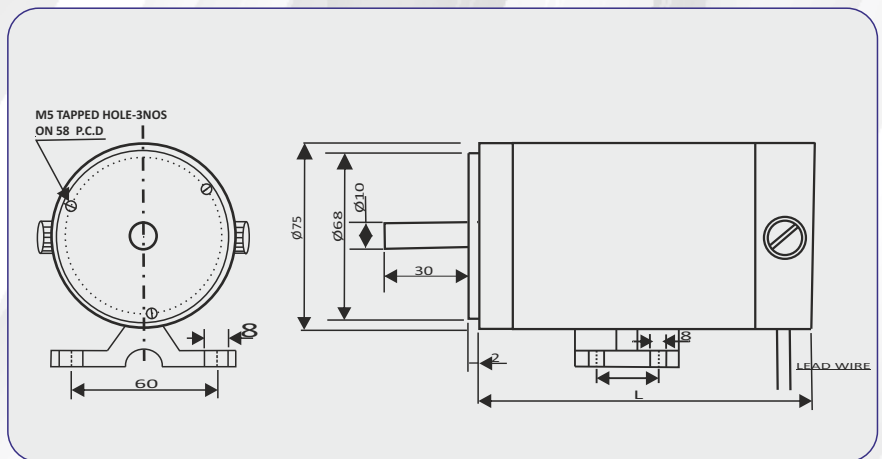


Technical Specification

Power in Watt/HP	RPM	Voltage in DC		Current in Amps		Torque in KG-CM	L	Weight (Kg.)
		V1	V2	A1	A2			
25/0.03	1500	12	24	2.6	1.3	1.6	96	1.2
25/0.03	3000	12	24	2.6	1.3	0.8	96	
50/0.06	1500	12	24	5.2	2.6	3.2	130	1.6
50/0.06	3000	12	24	5.2	2.6	1.6	130	

PMDC MOTOR D75 SERIES

Mechanical Dimension



Technical Specification

Power in Watt/HP	RPM	Voltage in DC			Current in Amps			Torque in KG-CM	INSL. CLASS	DUTY CYCLE	Protection	L	Weight KG
		V1	V2	V3	A1	A2	A3						
40/0.05	1500	180			0.3			2.5	B	S1	IP 44	177	3.5
40/0.05	3000	180			0.3			1.3	B	S1	IP 44	177	
75/0.10	1500	180	24	12	0.5	3.9	7.8	5.0	B	S1	IP44	177	
75/0.10	3000	180	24	12	0.5	3.9	7.8	2.5	B	S1	IP 44	177	

NOTE: THE ABOVE MOTOR CAN BE GIVEN IN FOOT OR FLANGE MOUNTING INCASE FOOT CUM FLANGE IS REQUIRED CHARGES EXTRA WILL BE CHARGED.