



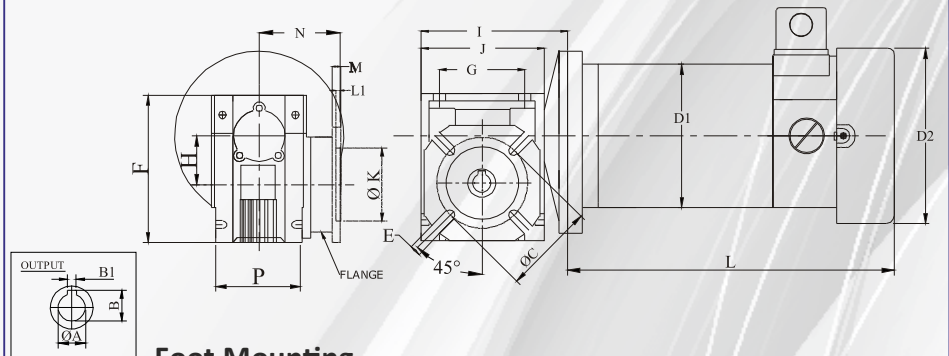
54, Annapurna Industrial Estate, Tilak Road,
Ghatkopar (E), Mumbai - 400 077 India
Tel: +91-22-21029911
E-mail: sales@excellaelectronics.com

PMDC WORM GEARED MOTOR D18 SERIES

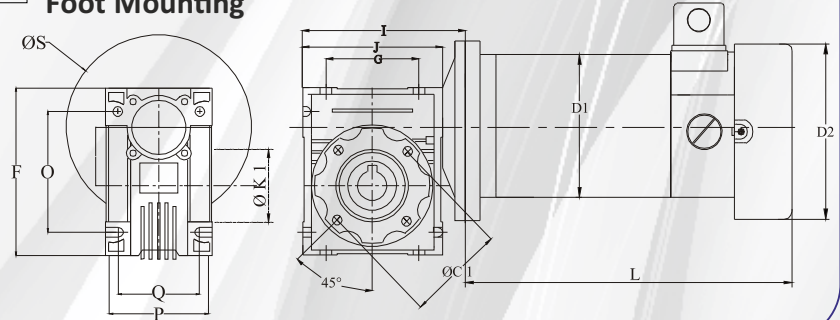
Mechanical Dimension



Flange Mounting



Foot Mounting



MECHANICAL DIMENSIONS FOR FOOT & FLANGE TEFC MOTORS.

Model	A	B1	B	C	C1	E	F	G	H	I	J	K	K1	L1	M	N	O	P	Q	S
ALM 040	18	8	20.8	75	75	9	121.5	70	40	120	101	60	60	4	7	67	90	71	60	160
ALM 050	25	8	28.3	85	85	11	144	80	40	140	121	70	70	5	9	90	104	85	70	160
ALM 063	25	8	28.3	150	95	11	174	100	63	167	146	150	95	6	10	82	130	103	85	160
ALM 075	28	8	31.3	165	115	14	205	120	75	198.5	174	165	115	6	13	111	153	112	90	160

TECHNICAL SPECIFICATION

POWER IN WATTS/HP	SPEED IN RPM	VOLTAGE IN VDC	CURR. IN AMPS	RATIO	OUTPUT SPEED IN RPM	TORQUE IN KG-CM	GEAR MODEL	INSL. CLASS	DUTY CYCLE	PROTECTION	ENCL.	D1	D2	L	WEIGHT (KG)
360/0.5	1500	180	2.6	7.5	200	130	040	B	S1	IP 44	TEFC	118	130	260	14.8
360/0.5	1500	180	2.6	10	150	170	040	B	S1	IP 44	TEFC	118	130	260	
360/0.5	1500	180	2.6	15	100	240	040	B	S1	IP 44	TEFC	118	130	260	
360/0.5	1500	180	2.6	20	70	320	040	B	S1	IP 44	TEFC	118	130	260	
560/0.75	1500	180	3.8	7.5	200	195	050	B	S1	IP 44	TEFC	118	130	280	18.0
560/0.75	1500	180	3.8	10	150	260	050	B	S1	IP 44	TEFC	118	130	280	
560/0.75	1500	180	3.8	15	100	370	050	B	S1	IP 44	TEFC	118	130	280	
560/0.75	1500	180	3.8	20	70	480	050	B	S1	IP 44	TEFC	118	130	280	

NOTE: THE ABOVE MOTOR CAN BE GIVEN IN FOOT OR FLANGE MOUNTING INCASE FOOT CUM FLANGE IS REQUIRED CHARGES EXTRA WILL BE CHARGED.